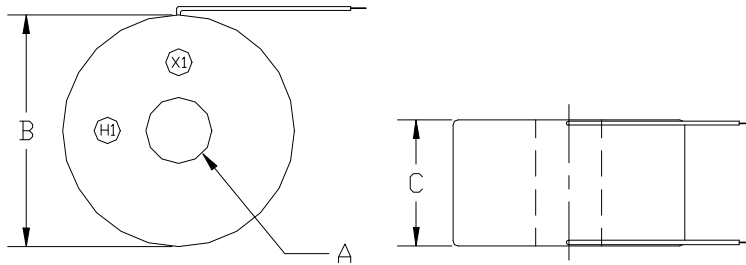
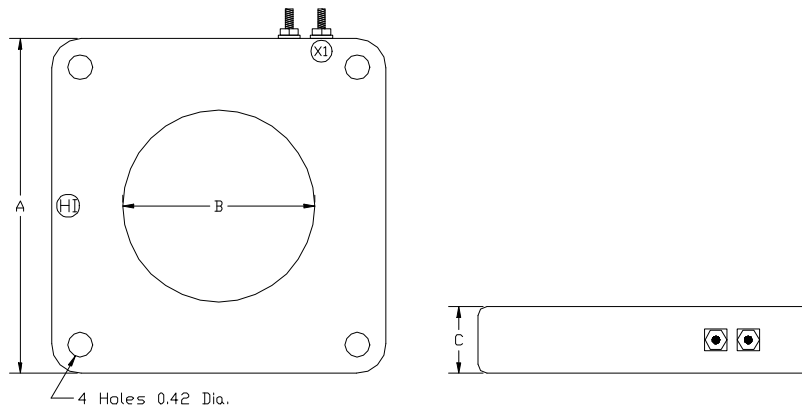


## 5 AMP OUTPUT

## SOLID-CORE CURRENT TRANSFORMER



DIMENSIONS (IN)				
PART NO.	RATIO	A	B	C
805097	100:5A	0.64	2.24	1.22
805091	200:5A	1.13	2.44	1.75
805098	400:5A	1.56	3.56	1.10



DIMENSIONS (IN)				
PART NO.	RATIO	A	B	C
805099	600:5A	5.67	3.25	1.13
805100	800:5A	6.69	4.25	1.28

Note the polarity mark on the current transformer, usually a white dot or “H1”. The polarity mark must be toward the line or source of power when the current transformer is installed. The polarity or plus output of the current transformer is indicated by a white dot or “X1” marked by one of the secondary terminals, or by a white lead attached to the current transformer.