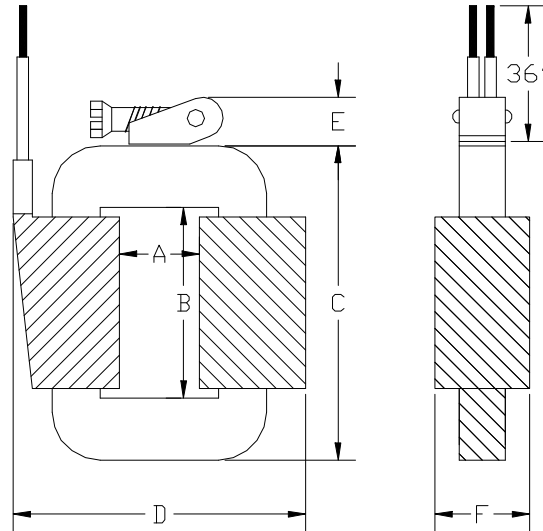


5 AMP OUTPUT

SPLIT-CORE CURRENT TRANSFORMER



DIMENSIONS (IN)						
	A	B	C	D	E	F
1SP	0.84	2.00	3.30	3.07	0.61	0.99
3SP	2.19	3.25	4.55	4.71	0.61	1.13
5SP	2.88	4.25	5.55	5.67	0.61	1.23

STYLE	PART #	RATIO	ACCURACY @ 60HZ	
			+/- %	Burden (VA)
1SP	805093	200:5A	1	1.5
1SP	805094	400:5A	1	5
3SP	805094X	400:5A	1	4
3SP	805095	800:5A	1	10
5SP	805096	1600:5A	1	12

Conforms to UL 1244, ANSI C57.13, and applicable IEC standards
Frequency range is 50-400 HZ, insulation class is 0.6 kV BIL 10kV
Leads are 16 AWG UL 1015 PVC, 105°C
Thermal Rating Factor is 1.33 @ 30°C

Note the polarity mark on the current transformer, usually a white dot or "H1". The polarity mark must be toward the line or source of power when the current transformer is installed. The polarity or plus output of the current transformer is indicated by a white dot or "X1" marked by one of the secondary terminals, or by a white lead attached to the current transformer.